

SENSO-HEAT RADIATORS UK

# CaldorLine H 7000

Quality Horizontal & Vertical  
Flat Panel with Designer  
style



# CaldorLine 7000

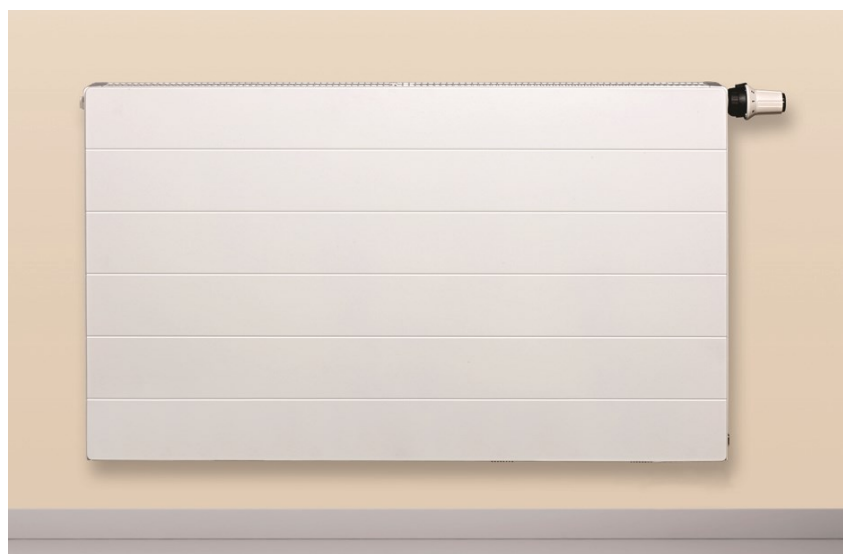
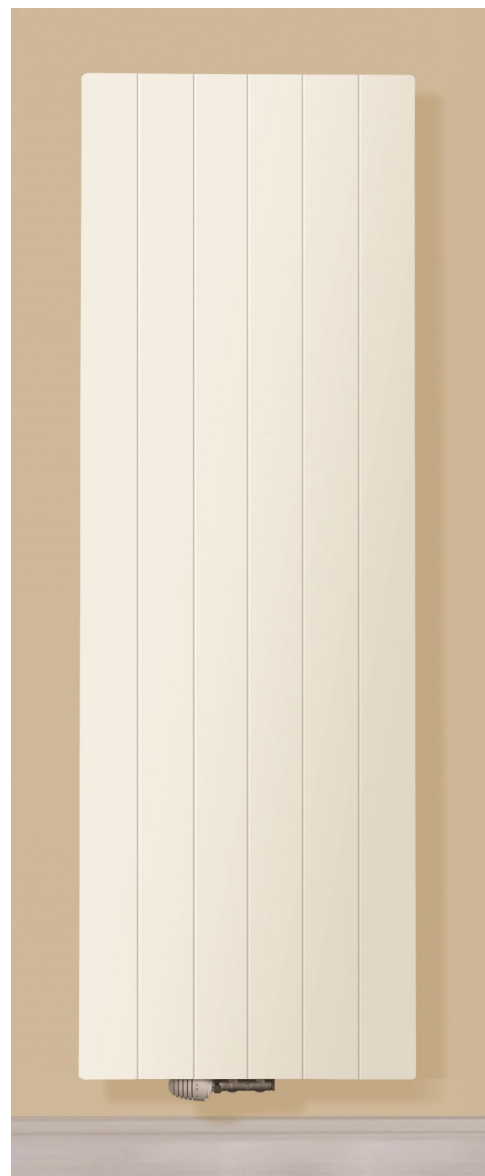
Quality Horizontal & Vertical Contemporary Panel Radiators with subtle lines across the radiator giving designer good looks. Offering high outputs, superb finish and exceptional build quality they are the ideal choice for any modern living room or office.

## Benefits

- ◆ Latest Technology design & construction to BS 1449 part1.
- ◆ Manufactured from 1.2mm cold rolled steel.
- ◆ Suitable for both Domestic & Commercial applications
- ◆ Perfect for New Builds or refurbishments
- ◆ Modern Smooth Designer slim-line appearance
- ◆ Efficient & Economical performance
- ◆ Supplied ready & easy to install
- ◆ 5 Year warranty against failure due to material or manufacture defect.
- ◆ Colour RAL 9016 White

## Senso-Heat Service & Commitment

At Senso-Heat we are proud of our top quality products and are committed to provide the best quality of service to our customers from our highly trained dedicated team.



## Outputs

The outputs quote in this brochure are based on mean water temperature of 80°C and a room temperature of 20°C (Delta T 60°C) or a mean water temperature of 70°C and a room temperature of 20°C (Delta T 50°C) .

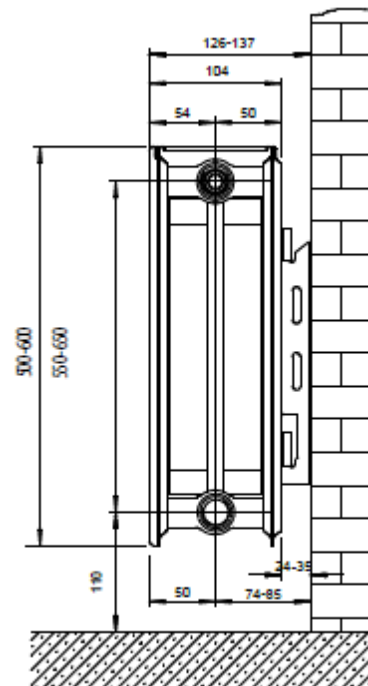
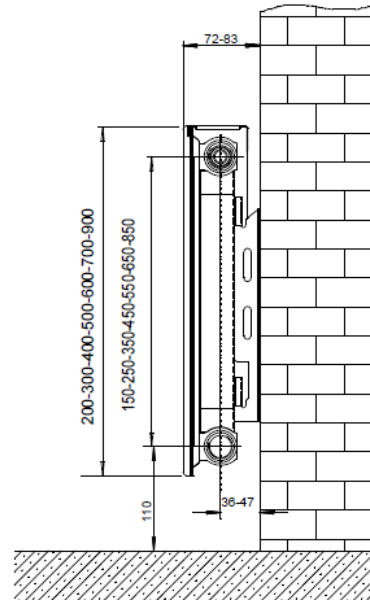
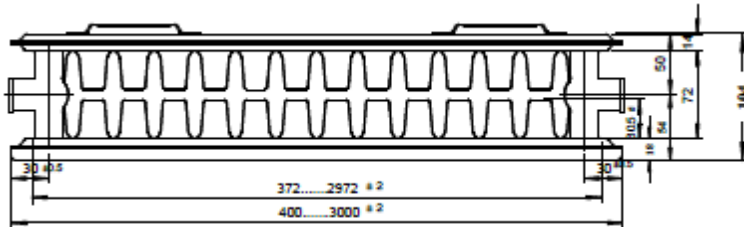
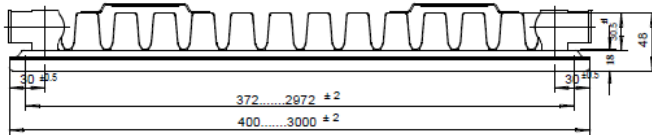
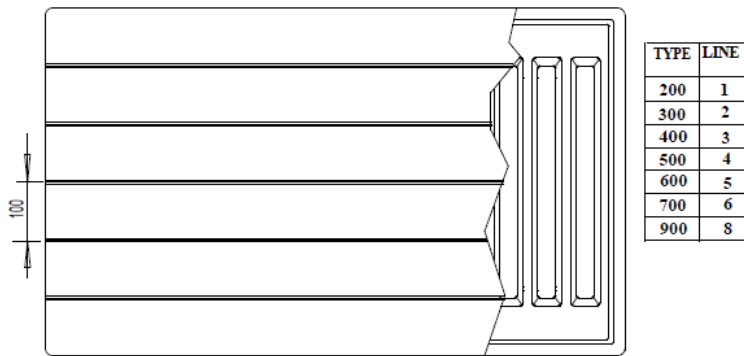
For other operating conditions apply the corrections factors below (apply to Delta T 60°C only)

5°C	0.046	30°C	0.432	55°C	0.898
10°C	0.108	35°C	0.512	60°C	1.000
15°C	0.179	40°C	0.605	65°C	1.104
20°C	0.256	45°C	0.700	70°C	1.211
25°C	0.338	50°C	0.798	75°C	1.319

# Caldorline H 7000 Horizontal Technical Information

		LS = Single Panel / Single Convector (Type 11)			LH = Double Panel / Single Convector (Type 21)			LD = Double Panel / Double Convector (Type 22)		
Height MM/INCH	Width MM / INCH	SensoHeat Code	Output $\Delta T50^{\circ}\text{C}$	Output $\Delta T60^{\circ}\text{C}$	SensoHeat Code	Output $\Delta T50^{\circ}\text{C}$	Output $\Delta T60^{\circ}\text{C}$	SensoHeat Code	Output $\Delta T50^{\circ}\text{C}$	Output $\Delta T60^{\circ}\text{C}$
<b>500 / 20"</b>	600 / 24"	-	-	-	LH506	724	907	LD506	932	1168
	800 / 32"	-	-	-	LH508	965	1210	LD508	1243	1558
	1000 / 39"	LS510	804	1008	LH510	1207	1512	LD510	1554	1947
	1200 / 47"	-	-	-	LH512	1448	1814	LD512	1865	2337
	1400 / 55"	-	-	-	LH514	1689	2117	LD514	2176	2726
<b>600 / 24"</b>	600 / 24"	LS606	559	700	LH606	839	1052	LD606	1076	1349
	800 / 32"	LS608	745	933	LH608	1119	1402	LD608	1435	1799
	1000 / 39"	LS610	931	1167	LH610	1399	1753	LD610	1794	2248
	1200 / 47"	LS612	1117	1400	LH612	1679	2104	LD612	2153	2698
	1400 / 55"	LS614	1303	1633	LH614	1958	2454	LD614	2512	3148
	1600 / 63"	-	-	-	LH616	2238	2805	LD616	2871	3597

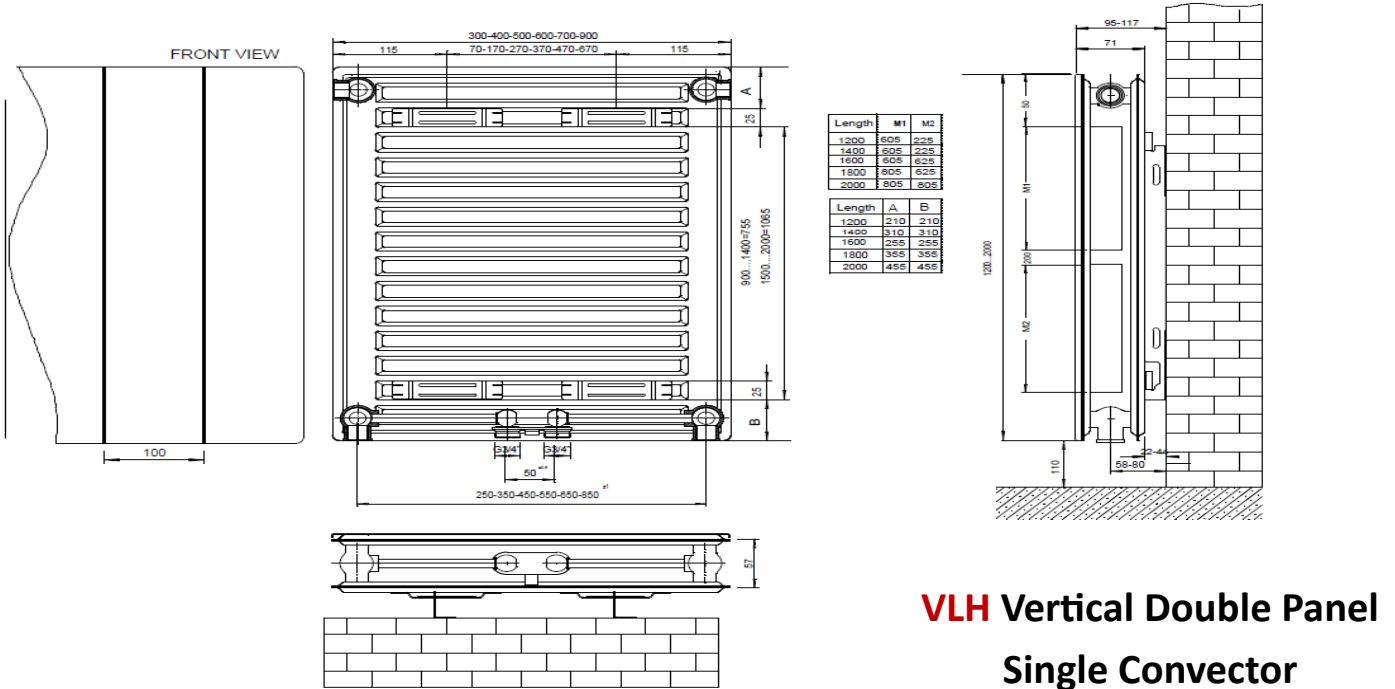
All Outputs are quoted in Watts



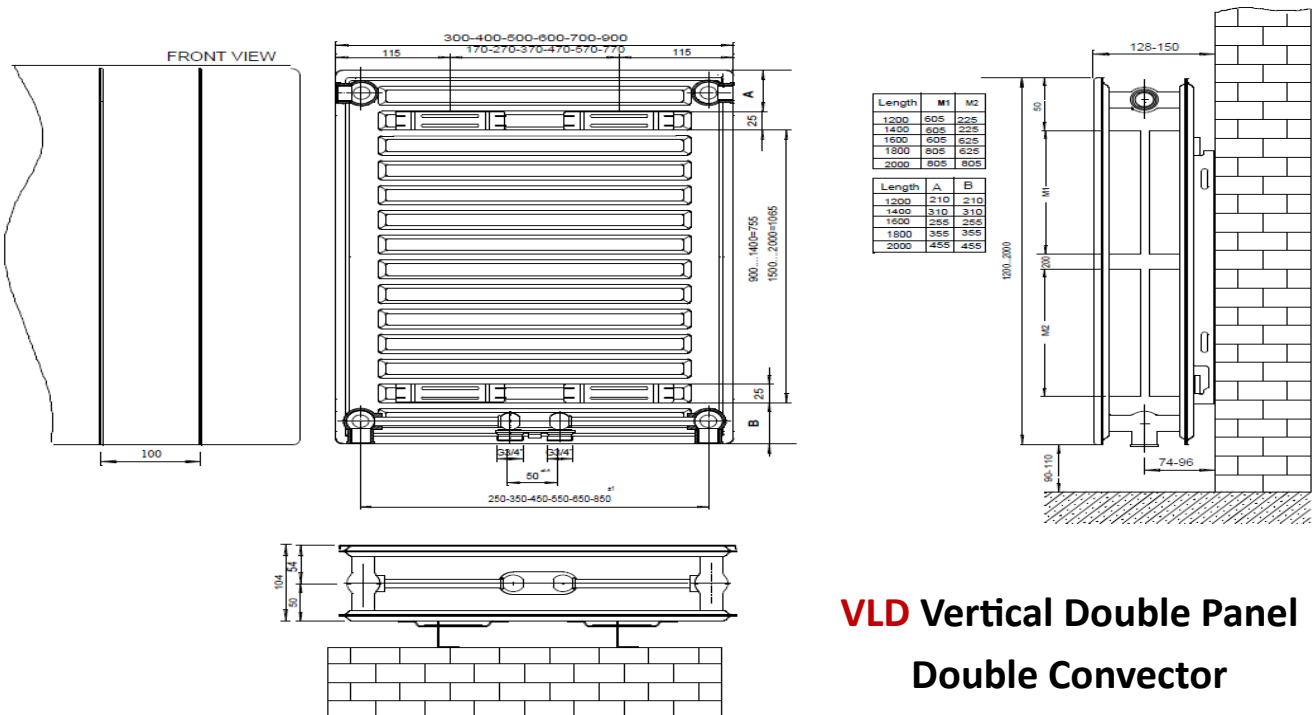
# Caldorline H 7000 Vertical Technical Information

		VLS = Single Panel / Single Convector (Type 11)			VLH = Double Panel / Single Convector (Type 21)			VLD = Double Panel / Double Convector (Type 22)		
Height MM/INCH	Width MM / INCH	SensoHeat Code	Output $\Delta T50^{\circ}C$	Output $\Delta T60^{\circ}C$	SensoHeat Code	Output $\Delta T50^{\circ}C$	Output $\Delta T60^{\circ}C$	SensoHeat Code	Output $\Delta T50^{\circ}C$	Output $\Delta T60^{\circ}C$
1600 / 63"	300 / 12	-	-	-	VLH316	856	1073	VLD316	1129	1415
	500 / 20"	-	-	-	VLH516	1339	1678	VLD516	1749	2191
1800 / 71"	400 / 16	-	-	-	VLH418	1201	1505	VLD418	1529	1916
	500 / 20"	-	-	-	VLH518	1462	1832	VLD518	1877	2352
	600 / 24"	-	-	-	VLH618	1717	2152	VLD618	2223	2786

All Outputs are quoted in Watts



**VLH Vertical Double Panel Single Convectors**



**VLD Vertical Double Panel Double Convectors**